



(714) 210-1507

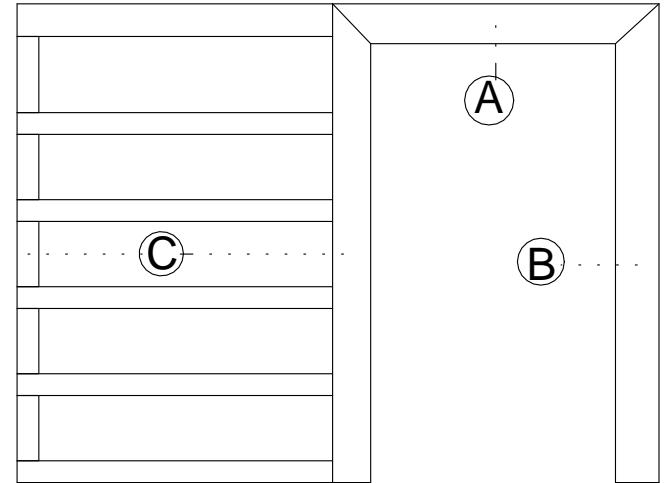
Fax (714)210-1511

sales@alpha-alum.com

# POCKET FRAME

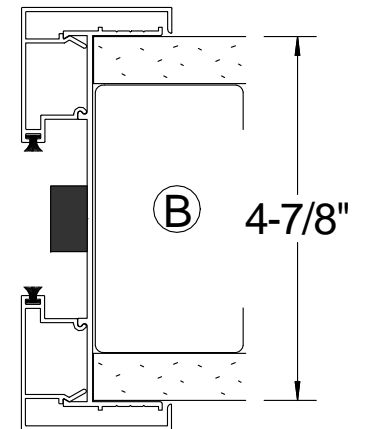
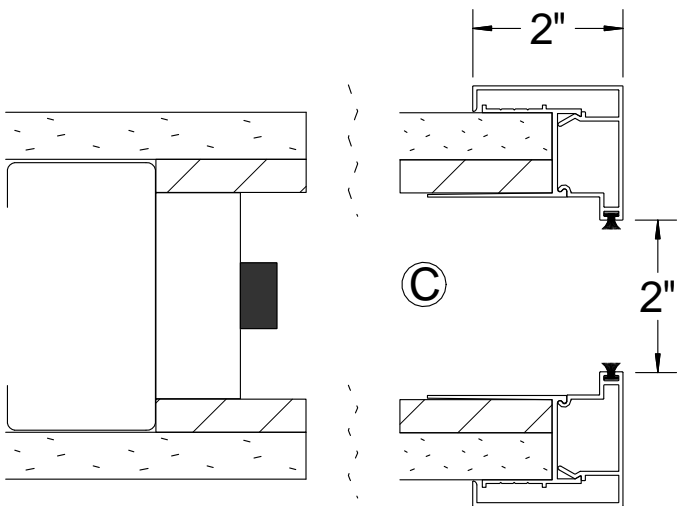
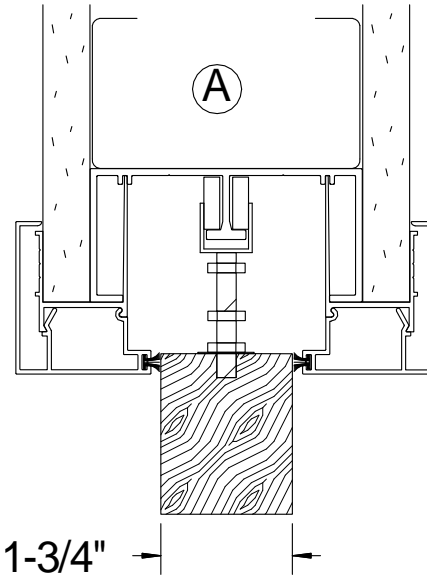
For 4-7/8" wall / 1-3/4" door

*\* Shipped fully assembled including two hangers/rollers and one 2-piece floor guide for each door leaf \**



## **SINGLE FRAME SHOWN**

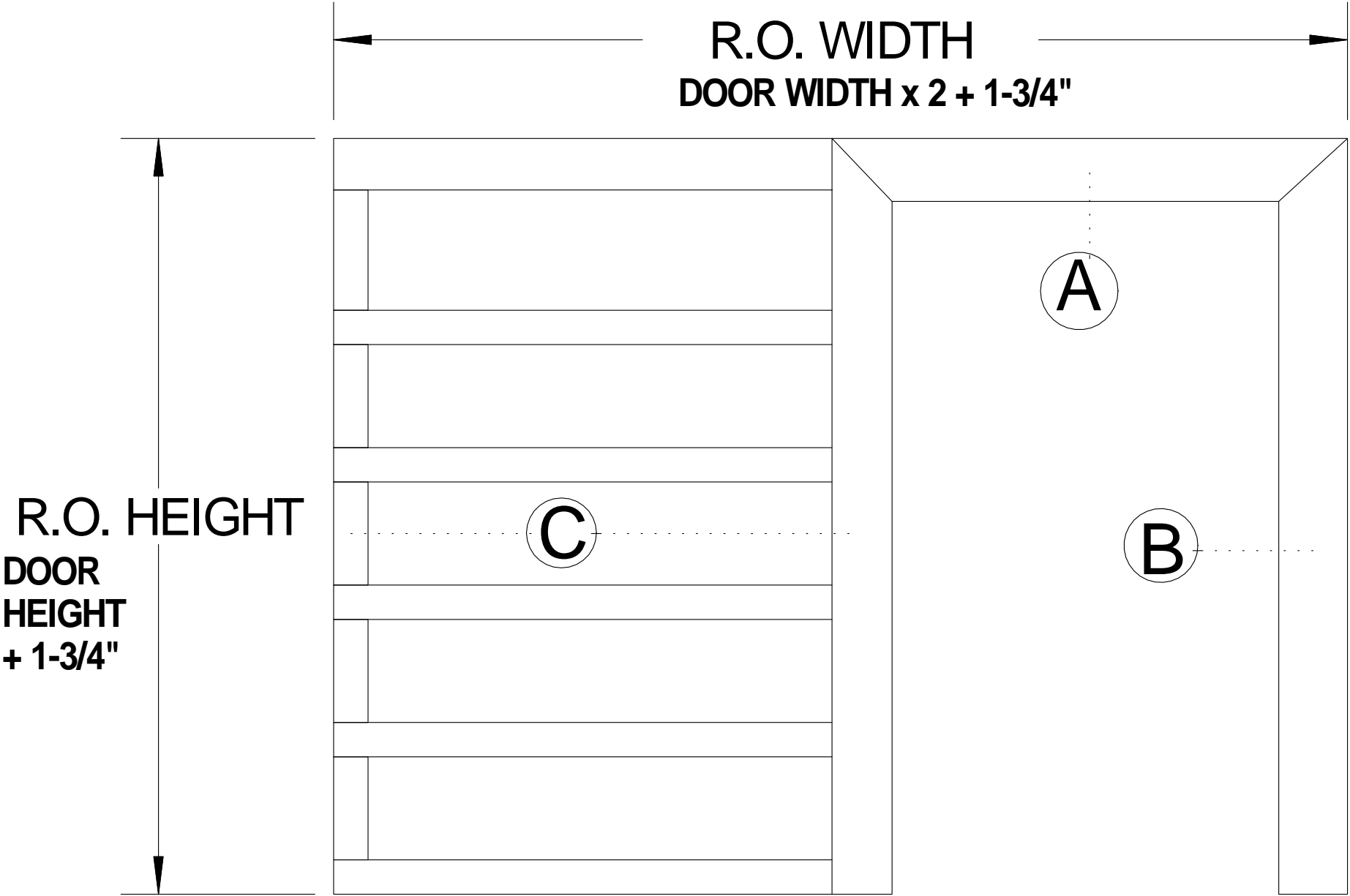
Pair frame uses detail C both sides / omits detail B





# POCKET FRAME ROUGH OPENING

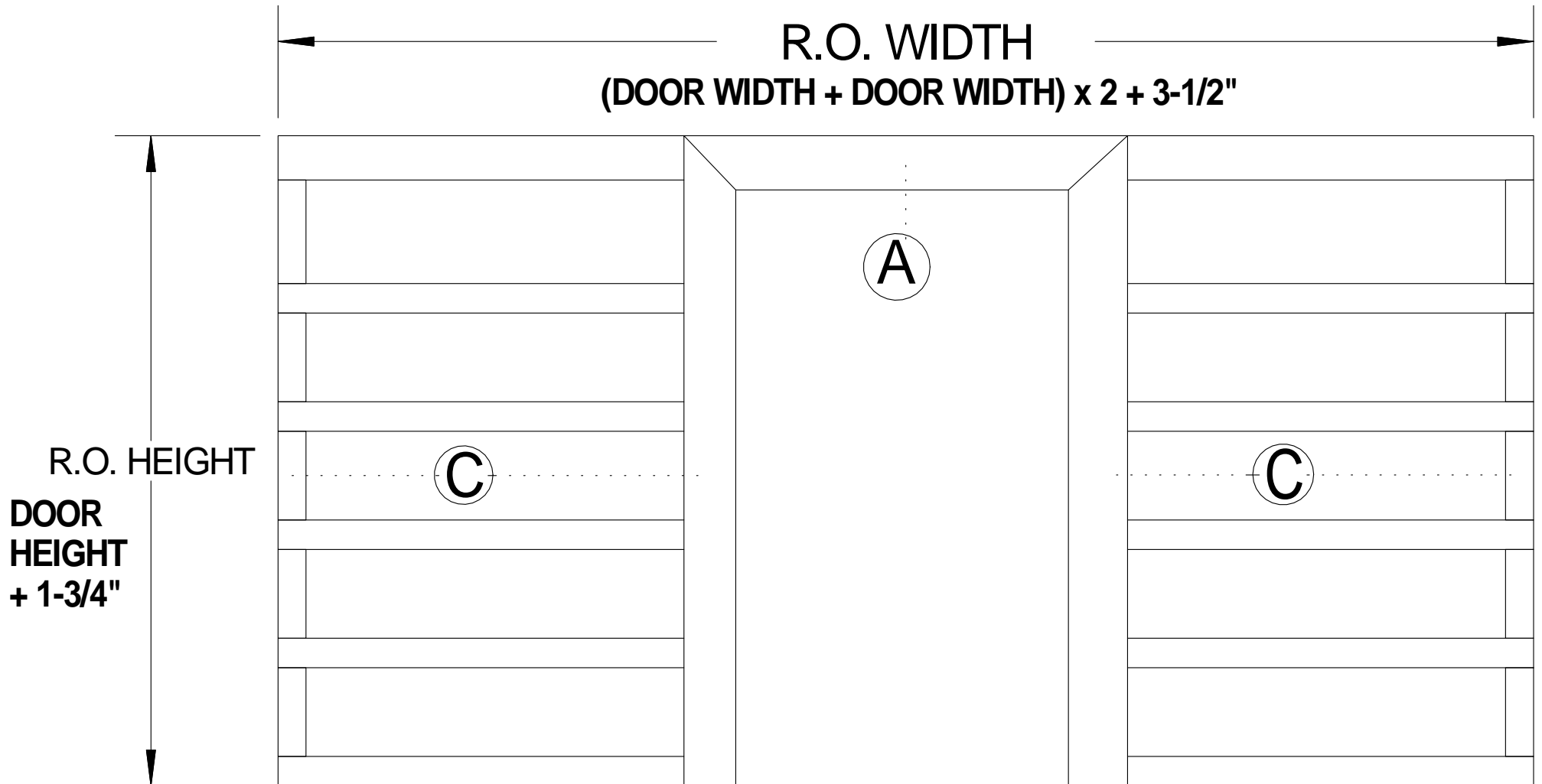
## SINGLE DOOR

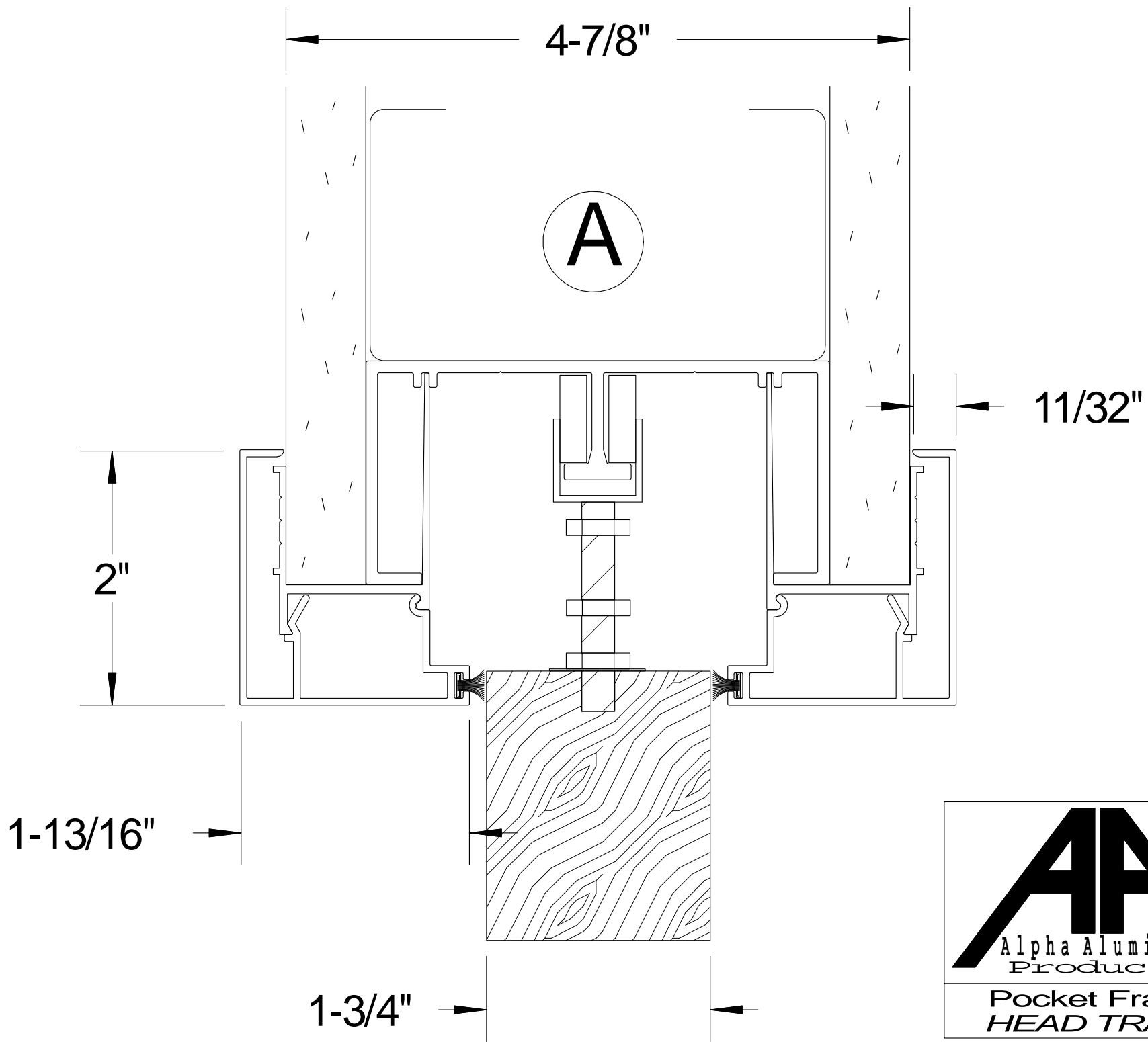


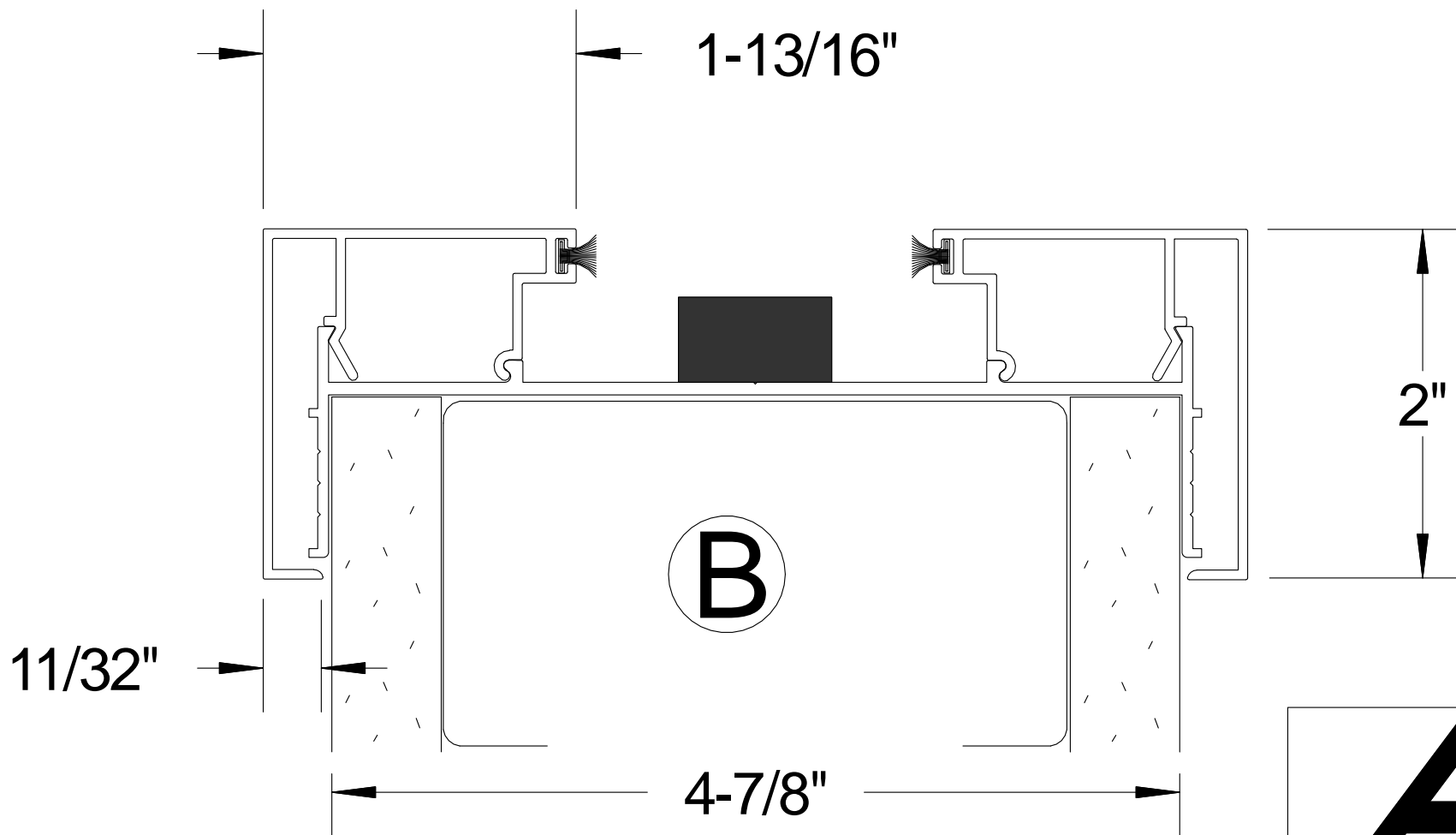


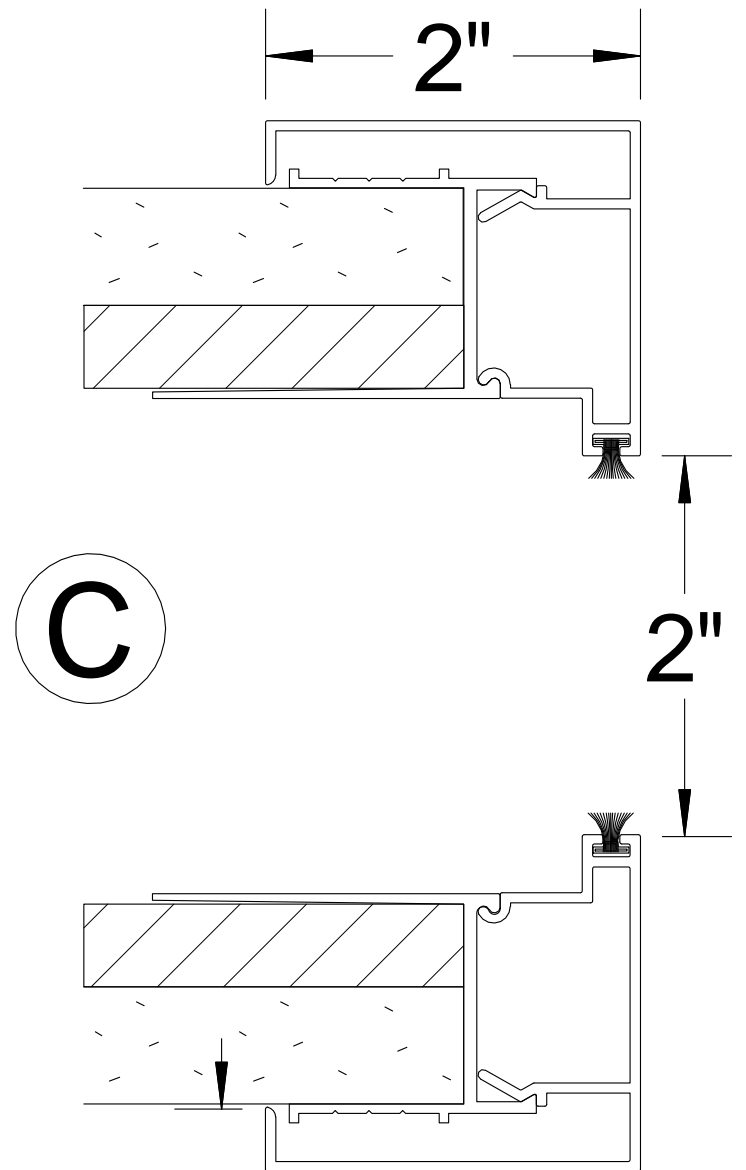
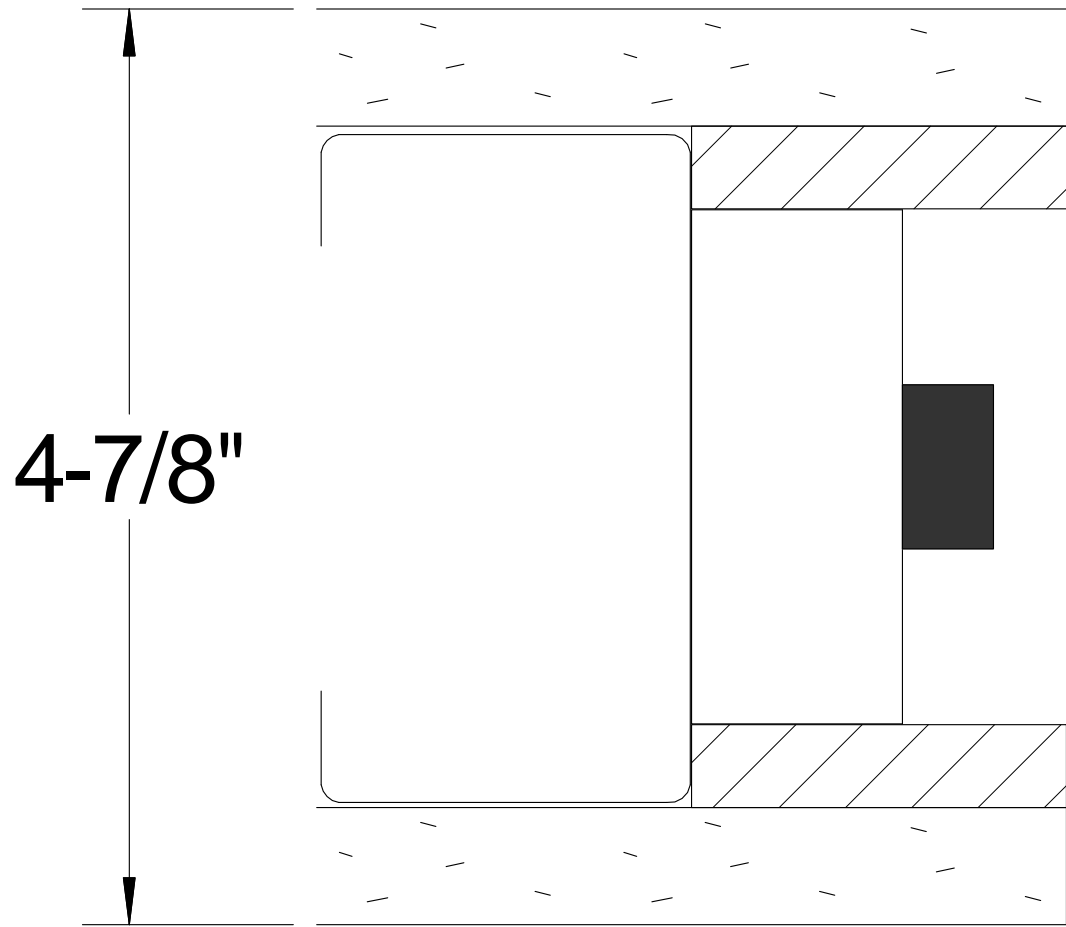
# POCKET FRAME ROUGH OPENING

## PAIR of DOORS

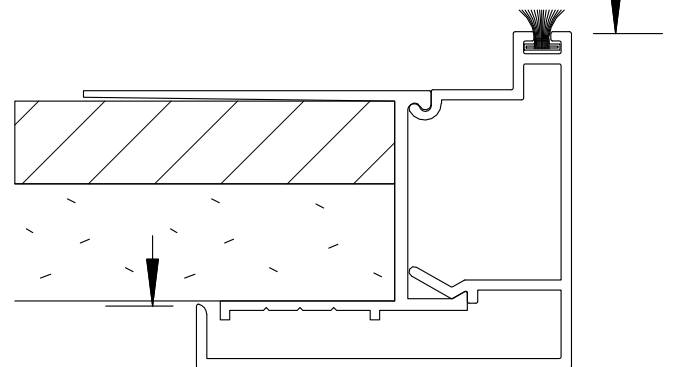








C





Hettich America L.P.  
4295 Hamilton Mill Road, Suite 400  
Buford, GA 30518  
Technical Hotline: (800) 277-2222

**Model # 72-222**  
**provided with Alpha**  
**pocket frames**

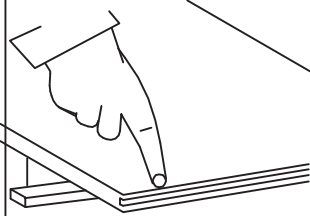
# Grant® 7000

SLIDING DOOR HARDWARE  
INSTALLATION INSTRUCTIONS

## For Sliding Door Hardware Sets

<p><b>71-111</b> Non-adjustable Single sliding door Top mounted Door thickness: 3/4" to 1-3/4" Capacity: 150 lbs Headroom: 1-15/16" <b>71-222</b> Adjustment: 3/4" vertical Single sliding door Top mounted Door thickness: 3/4" to 1-3/4" Capacity: 150 lbs Headroom: 2-1/8" min.</p>	<p><b>71-034</b> Adjustment: 1/4" vertical Single sliding door Side mounted Door thickness: 3/4" Capacity: 150 lbs Headroom: 1-7/8" min. <b>71-138</b> Adjustment: 1/4" vertical Single sliding door Side mounted Door thickness: 1-3/8" Capacity: 150 lbs Headroom: 1-7/8" min.</p>	<p><b>72-034, F72-034</b> Adjustment: 1/4" vertical By-passing sliding door Side mounted Door thickness: 3/4" Capacity: 150 lbs, each door Headroom: 1-7/8" min. <b>72-118</b> Adjustment: 1/4" vertical By-passing sliding door Side mounted Door thickness: 1-3/8" each Capacity: 150 lbs, each door Headroom: 1-7/8" min.</p>	<p><b>72-138, F72-138</b> Adjustment: 1/4" vertical By-passing sliding door Side mounted Door thickness: 1-3/8" Capacity: 150 lbs, each door Headroom: 1-7/8" min. <b>72-134, F72-134</b> Adjustment: 3/4" vertical By-passing sliding door Side mounted Door thickness: 1-3/4" each Capacity: 150 lbs, each door Headroom: 1-7/8" min.</p>	<p><b>72-222</b> Adjustment: 3/4" vertical By-passing sliding door Top mounted Door thickness: 3/4" Capacity: 150 lbs Headroom: 2-1/8" min. <b>72-223</b> Adjustment: 3/4" vertical By-passing sliding door Top mounted Door thickness: 1" to 1-3/8" Capacity: 150 lbs Headroom: 2-1/8" min.</p>
--	--	--	---	--

1.



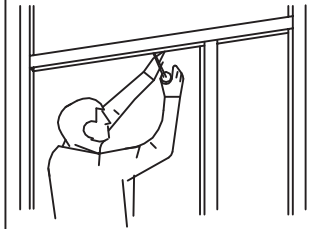
### FOR GROOVED INSTALLATIONS ONLY

Cut a continuous saw slot in center of bottom door 1/4" wide x 7/8" deep.

These instructions assume that a proper frame has been constructed. However, if desired, full framing details are available upon request.

**NOTE:** Since these instructions apply to twelve different styles, note your set number and follow only those steps pertaining to it.

2.



71-111, 71-222  
71-034, 71-138

Mount track to header (with opening in carrier housing facing front) using #8 x 1-1/4" R.H.W.S. supplied. Note that one end track is notched, so that No. 7000 carriers may be inserted after track is mounted.

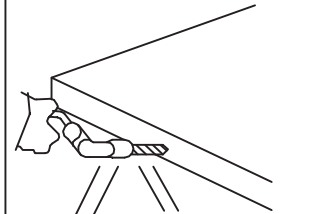
**\*NOTE\***  
**Skip this step**  
**(track is integral**  
**to frame &**  
**carriers have**  
**been installed)**

72-034, 72-118, F72-034  
72-138, 72-134, F72-138  
72-222, 72-223, F72-134

Mount track to header (with opening in carrier housing facing front) using #8 x 1-1/4" R.H.W.S. supplied. Note that one end track is notched, so that No. 7000 carriers may be inserted after track is mounted.

F72-134 } Carrier opening  
F72-034 } should be  
F72-138 } facing rear.

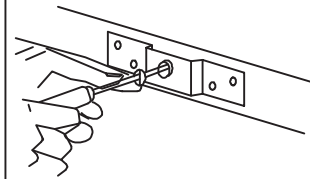
3.



71-222, 72-222, 72-223

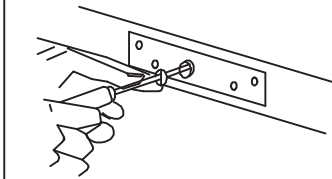
Drill a 3/8" diameter hole in top of door on center line of door thickness (approx. 1-1/2" deep) and approximately 5" from either end of door.

4.



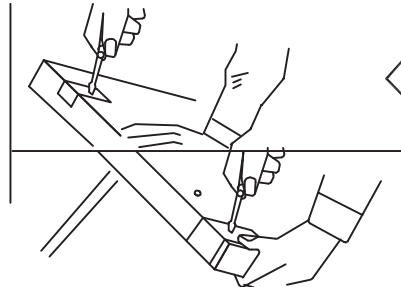
71-111

Attach No. 7111 Top Plates to top of door, using #8 x 1-1/4" R.H.W.S. supplied. Bolt at center of top plate should be approximately 5" from either end of door.



71-222, 72-222  
72-223

Place No. 7222 Top Plates on door, with bottom of bolt inserted in hole. Fasten plate to door with #8 x 1-1/4" R.H.W.S. supplied.



71-034, 71-138  
72-034, 72-118  
72-138, 72-134

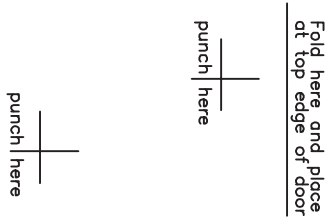
Locate holes on upper left and right hand corners of doors using Template A. See instructions for mounting location on template. Attach aprons.

On sets No. 72-118 & 72-134, mount 3/4" aprons (No. 7034) on front door. 3/4" aprons require #8 x 3/4" F.H.W.S., 1-3/8" aprons require #8 x 1-1/4" F.H.W.S.

071-11-0019-00-0, Rev. B [INSTRUC]071-11-0019-00-0]

TEMPLATE A

CUT ALONG DOTTED LINE



Place template so that  
this line is 4" from side  
of door



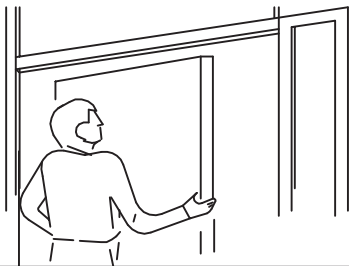
Hettich America L.P.  
4295 Hamilton Mill Road, Suite 400  
Buford, GA 30518  
Technical Hotline: (800) 277-2222

Page 2 of 2

Grant® 7000

SLIDING DOOR HARDWARE  
INSTALLATION INSTRUCTIONS

5.



71-111, 71-222  
71-034, 71-138

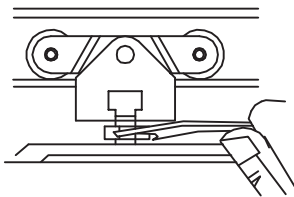
Lift door so that heads of bolts enter into and rest in the cups in the carriers.



72-034, 72-118, F72-034  
72-138, 72-134, F72-138  
72-222, 72-223, F72-134

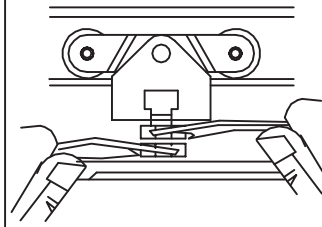
Lift doors so that heads of bolts enter into and rest in cup in the carriers. Door furthest from you must be hung first.

6.



71-111, 71-034, 71-138  
72-034, 72-118, 72-138  
72-134

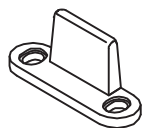
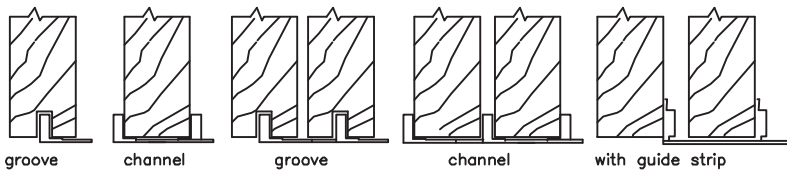
Raise lock nut to light contact on shoulder of bolt. Do not tighten excessively. Play between apron and carriers is necessary for best operation.



71-222, 72-222  
72-223

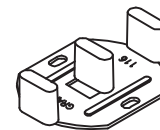
Raise to nut as far as possible and tighten using 1/2" wrench supplied. To prevent bolt from rotating, place 1/2" wrench on middle nut.

7.



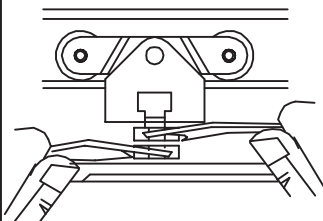
Floor Guide

Slide door(s) to fully closed position. Open vertical members of guide for groove, channel or guide strip application as shown on sectional views. Half of guide is inserted under door, half projecting. Fasten extended portion with #6 x 3/4" F.H.W.S. provided. Move door(s) to opposite side and fasten remaining portion. Snap off excess portion of bottom strip at convenient groove. Strip extension on by-passing doors always projects to the rear.



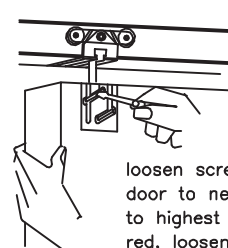
No.116 Floor Guide: For by-passing installations. Non-adjustable for 3/4" doors.  
No.117 Floor Guide: For by-passing installations. Non-adjustable for 1-3/8" doors.  
No.118 Floor Guide: For by-passing installations. Non-adjustable for 1-3/4" doors. Only 2 screws required. All steel with nylon covered steel uprights.

8.



71-222, 72-222  
72-223

Be certain that bottom of door clears the floor by at least 3/16". This dimension, as well as headroom dimension, can be regulated by lowering the lowest lock nut above the plate and turning middle nut on bolt until door is in desired position. Retighten bottom nut against plate, holding center nut with wrench.



71-034, 71-138  
72-034, 72-118  
72-138, 72-134

If additional clearance is required at bottom of doors

loosen screws in adjusting slots and raise door to next higher notch, or if necessary to highest notch. If top clearance is required, loosen screws and lower door to next lower notch, or if necessary to lowest notch. Tighten both screws.