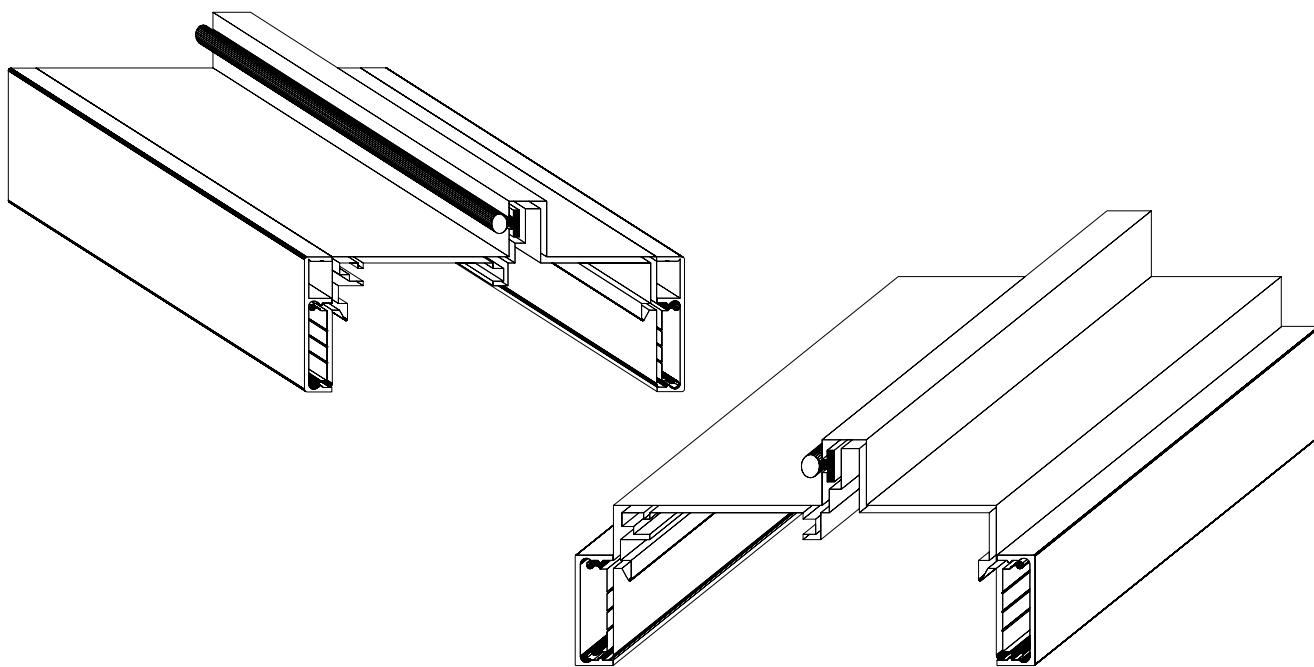




Alpha Aluminum Products, Inc.
dba Alpha Architectural Products

*DOOR & WINDOW FRAMES
FOR THE FINEST OFFICES*



1410 N. Manzanita Street • Orange, CA 92867
Phone (714) 210-1507 • Fax (714) 210-1511
sales@alpha-alum.com



AVAILABLE THROAT SIZES (WALL THICKNESS):

- ◆ DOOR FRAME AND GLAZING:
3-1/2", 3-3/4", 4-7/8", 5-1/4"
- ◆ DOOR FRAME ONLY*:
5-1/2", 7-1/4"
- ◆ 2-PIECE DOOR FRAME
(NEUTRAL PRESSURE RATING ONLY)*:
MADE TO ANY DIMENSION FROM 3" to 10-1/2"
****NOT FIELD ADJUSTABLE****

**APPLIED STOP AVAILABLE FOR
SIDELITES AND BORROWED LITES*

FIRE RATINGS:

- ◆ **20 MINUTE 'S' (UBC-97 POSITIVE PRESSURE)**
REQUIRES CONCEALED OR SURFACE APPLIED INTUMESCENT:
 - SINGLE SWING: up to 4-0 wide by 9-0 high
 - PAIRS: up to 8-0 by 9-0 (max. 4-0 leaf)
- ◆ **20 minute NEUTRAL PRESSURE LABEL:**
 - SINGLE SWING: up to 4-0 wide by 9-0 high
 - PAIRS: up to 8-0 by 9-0 (max. 4-0 leaf)
 - SIDELITES: up to 3-0 by 9-0 door (single swing only) with up to 2-0 wide sidelite on strike side of door

AVAILABLE FINISHES:

- ◆ CLEAR ANODIZED
- ◆ DARK BRONZE ANODIZED
- ◆ BLACK ANODIZED
- ◆ CUSTOM PAINTING
- ◆ CUSTOM ANODIZING

STANDARD HARDWARE PREPS:

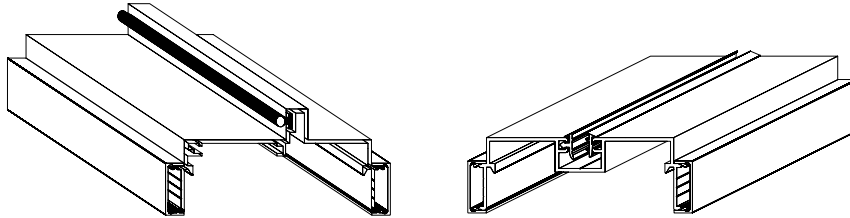
- ◆ 4-1/2" STANDARD WEIGHT BUTTS
- ◆ 4-7/8" ASA STRIKES
- ◆ 2-3/4" T-STRIKES
- ◆ 2-1/4" x 15/16" FLUSHBOLTS
- ◆ **PREPPED TO YOUR LOCATIONS**
- ◆ **CUSTOM PREPS AVAILABLE**

SPECIFICATIONS:

- ◆ EXTRUDED ALUMINUM, ALLOY 6063-T5
- ◆ NOMINAL ALUMINUM THICKNESS 0.07"
- ◆ DOOR FRAMES FOR 1-3/4" DOORS ONLY
- ◆ DOOR MUTE (VINYL or FELT) INCLUDED
- ◆ GLAZING VINYL INCLUDED
- ◆ VINYL & FELT AVAILABLE IN BLACK, WHITE or GREY (BLACK VINYL STANDARD)
- ◆ GLAZING FRAMES FOR 1/4" GLASS (WITH INCLUDED VINYL)
- ◆ 3/8" GLASS MAY BE USED BY OMITTING VINYL AND CAULKING GLASS
- ◆ FRAMES CUT TO SIZE & PACKED PER OPENING
- ◆ TRIM MITERED AT CORNERS

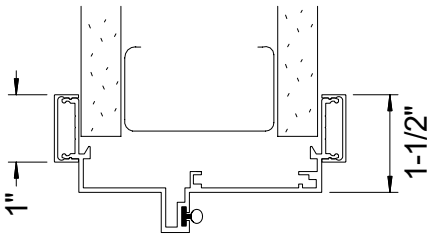


STANDARD TRIM SYSTEM

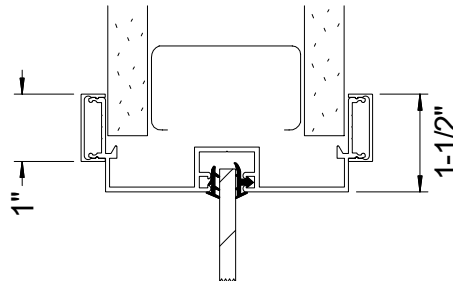


FEATURES:

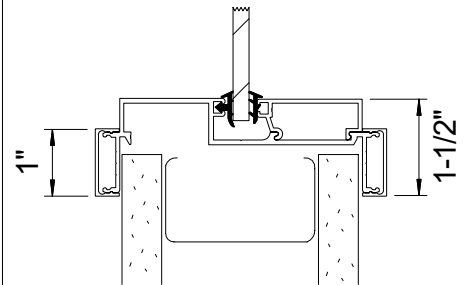
- ▶ 1" x 3/8" TRIM
- ▶ 1/2" REVEAL
- ▶ 1-1/2" FACE / 2" MULLIONS



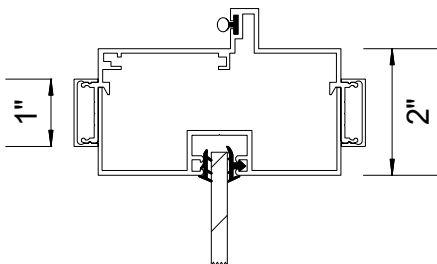
DOOR FRAME
HEAD/JAMB



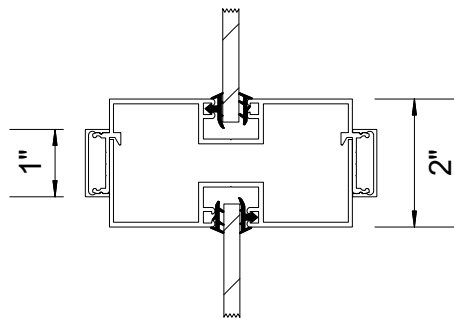
GLAZING
HEAD/JAMB



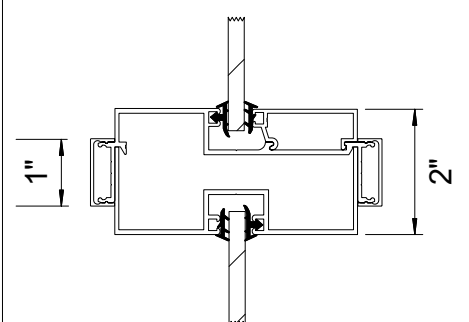
GLAZING SILL
w/SNAP-IN STOP



DOOR/SIDELITE
MULLION



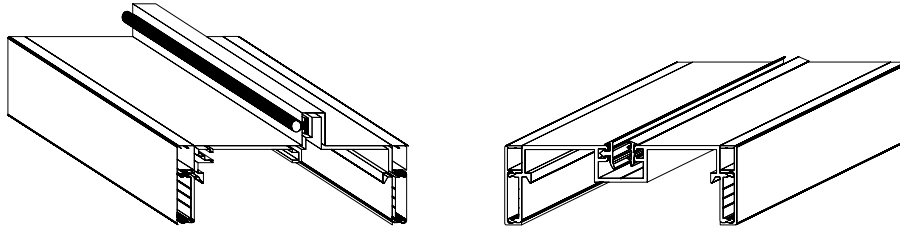
VERTICAL
MULLION



HORIZONTAL MULLION
w/SNAP-IN STOP



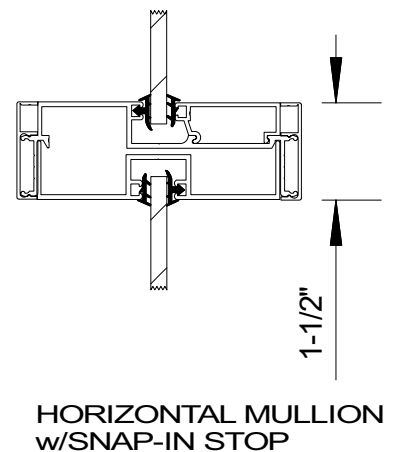
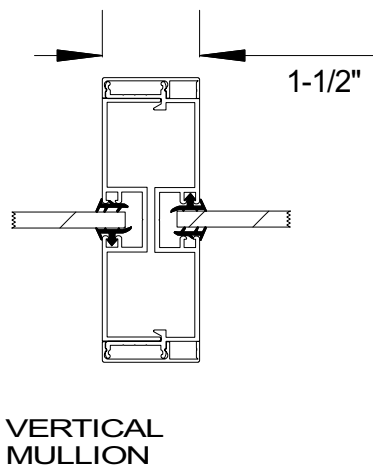
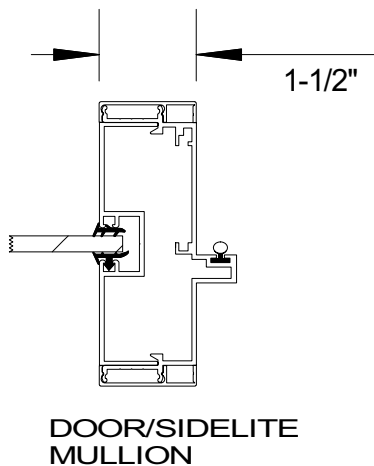
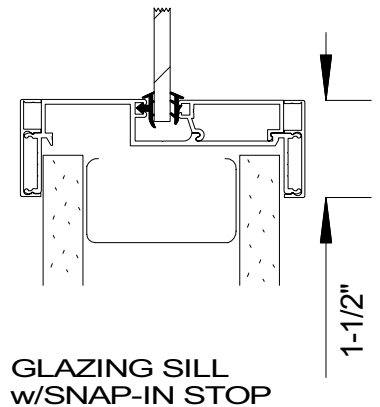
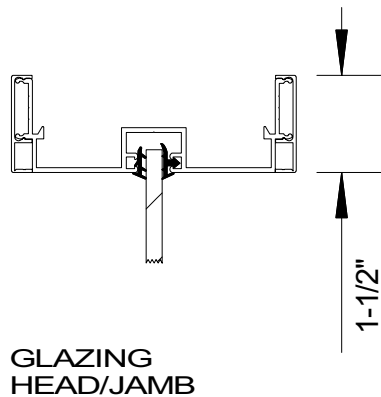
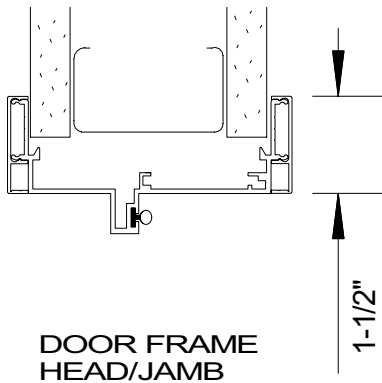
FLUSH TRIM SYSTEM



FEATURES:

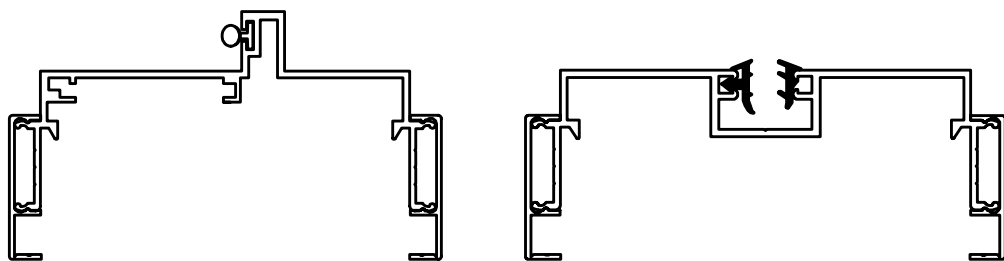
- ▶ 1-1/2" x 5/16" TRIM
- ▶ FLUSH--NO REVEAL
- ▶ 1-1/2" MULLIONS

**** STRIKE PLATE LIPS MUST BE EXTENDED 3/8" ****

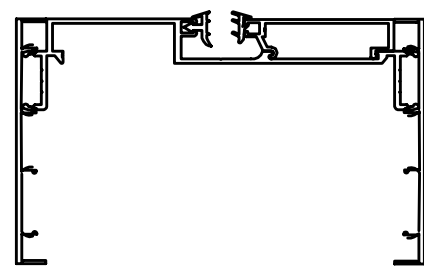


1-1/2" REVEAL TRIM

1-1/2" x 3/8" TRIM * 1/2" REVEAL * 2" PROFILE * 2" MULLIONS w/1" TRIM

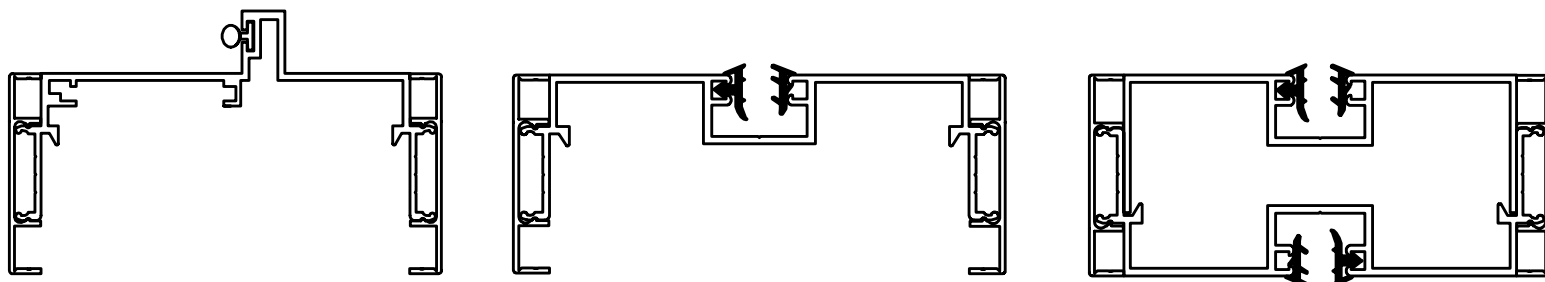


4" SILL TRIM



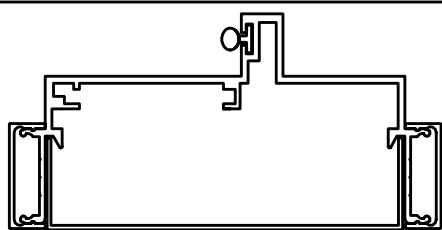
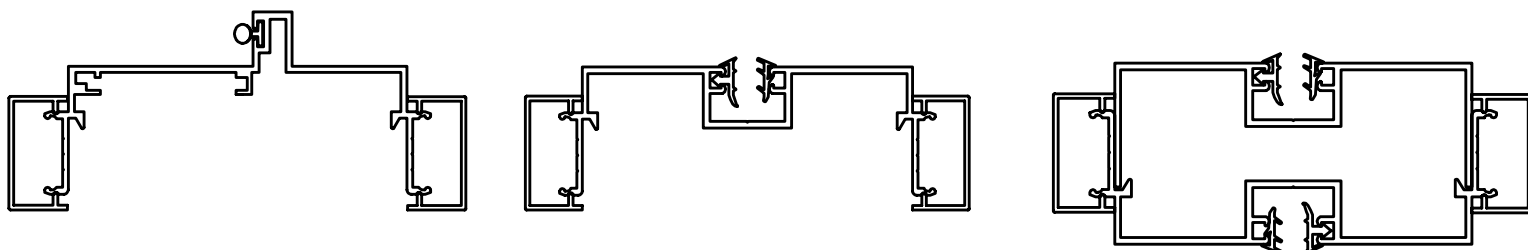
2" FLUSH TRIM

2" x 5/16" TRIM * NO REVEAL * 2" PROFILE * 2" MULLIONS



#125 TRIM

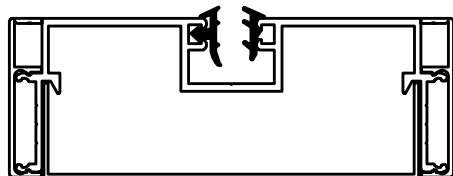
1-1/4" x 5/8" TRIM * 3/8" REVEAL * 1-5/8" PROFILE * 2" MULLIONS



EXTRUDED END CAPS

3-3/4" & 4-7/8" FOR FLUSH OR STANDARD TRIM

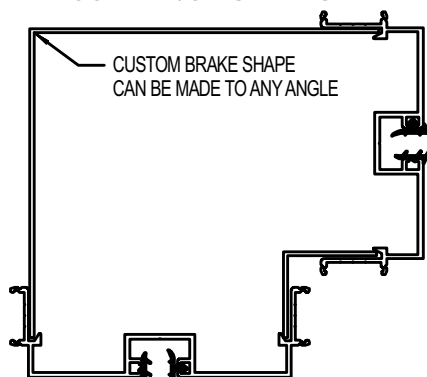
(CUSTOM BRAKE SHAPES FOR OTHER TRIMS/WALLS)



CUSTOM CORNERS

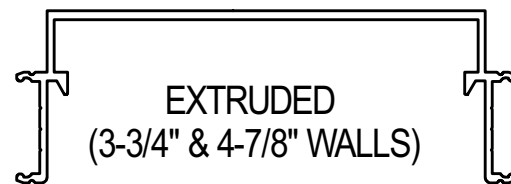
FOR ALL TRIM TYPES

ANY COMBINATION OF DOOR AND/OR GLAZING MAT'L

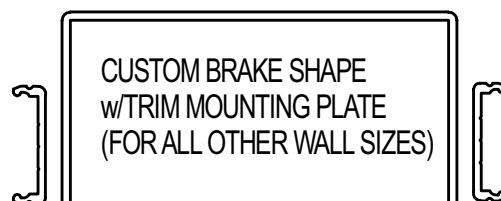


CUSTOM BRAKE SHAPE CAN BE MADE TO ANY ANGLE

CASED OPEN FRAMES



EXTRUDED (3-3/4" & 4-7/8" WALLS)



CUSTOM BRAKE SHAPE w/TRIM MOUNTING PLATE (FOR ALL OTHER WALL SIZES)

**** SILL STARTER (SILL CHANNEL) AVAILABLE ****